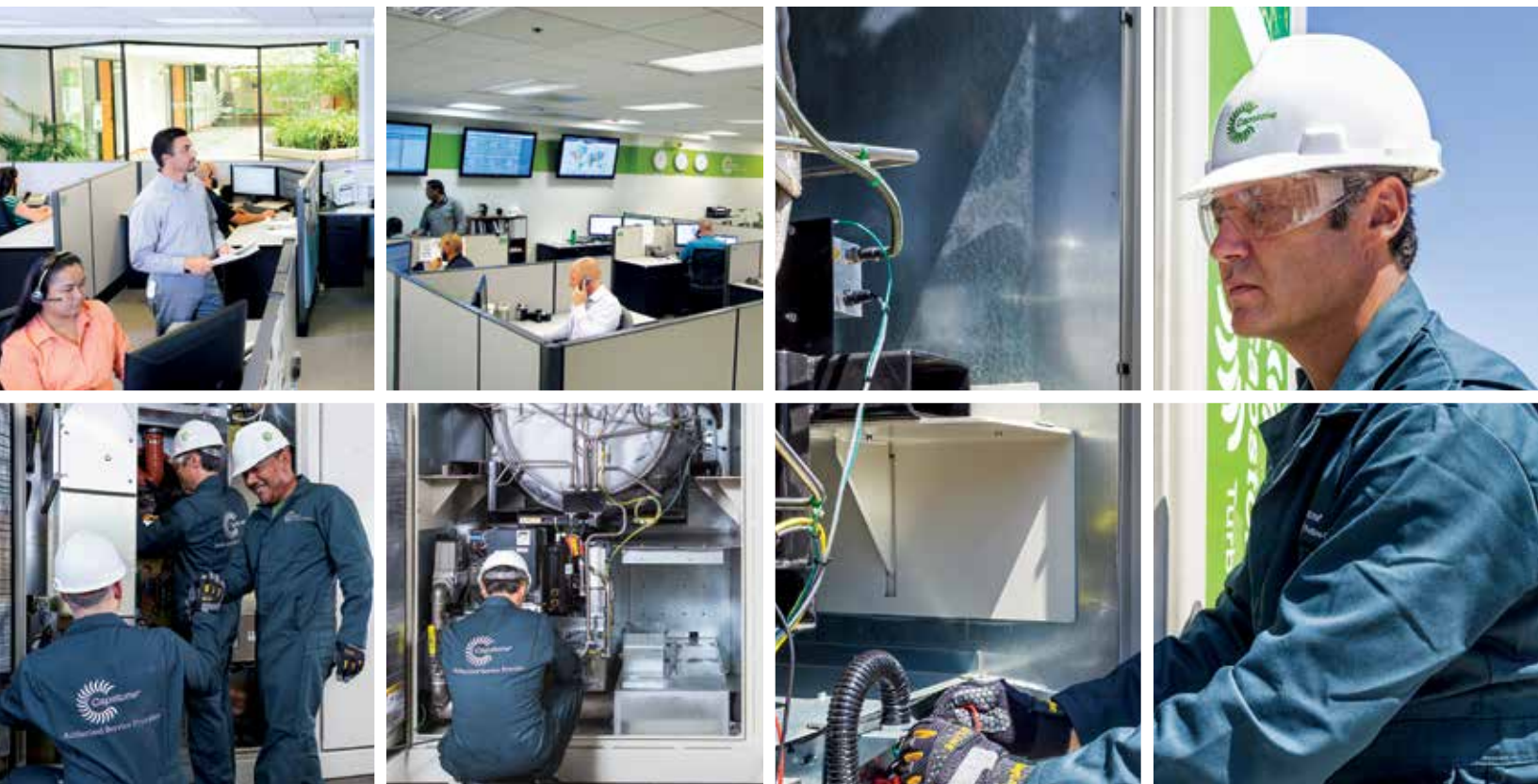




## Factory Protection Plan



*Reliable power when and where you need it.  
Clean and simple.*

## Factory Protection Plan Benefits

The Capstone Factory Protection Plan is an industry leading “all-in” cost protection plan designed to give our customers full peace of mind.

- Service performed by your local distributor and backed by the Capstone Factory
- Locks in current pricing for up to 9 years
- Covers all maintenance - both scheduled and unscheduled
- Full 40,000 trh<sup>1</sup> engine overhaul can be included
- Eliminates the risk of unplanned maintenance and surprise costs
- Provides maximum productivity for the life-cycle of your system



## Factory Protection Plan Options

The Capstone Factory Protection Plan assures that there is a vested interest in maximizing your success by providing a risk-transfer solution, aimed at protecting our customers against the unexpected.

**Plan A:** 5 year or 39,999 trh, Parts Only, No Overhaul

**Plan B:** 5 year or 39,999 trh, Parts & Labor, No Overhaul

**Plan C:** 9 year or 79,999 trh, Parts Only, with Overhaul

**Plan D:** 9 year or 79,999 trh, Parts & Labor, with Overhaul

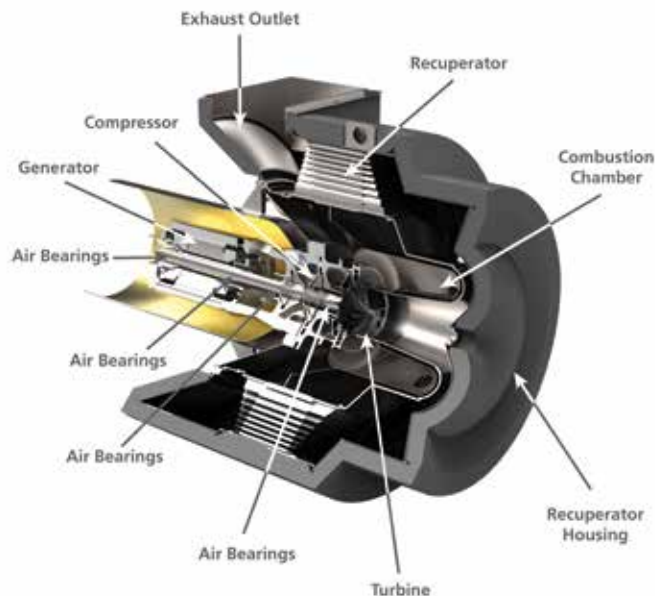
(1) Turbine run hours  
Specifications are not warranted and are subject to change without notice

## Factory Protection Plan Features

	PLAN A	PLAN B	PLAN C	PLAN D
Scheduled maintenance parts	✓	✓	✓	✓
Unscheduled maintenance parts as needed: <ul style="list-style-type: none"> <li>• Engine assembly</li> <li>• All power electronics components</li> <li>• All fuel system components</li> <li>• Optional/Accessory equipment (if installed)               <ul style="list-style-type: none"> <li>- Main battery packs</li> <li>- Heat Recovery Module (HRM) coil</li> <li>- Advanced Power Server (APS)</li> <li>- Dual Mode Controller (DMC)</li> <li>- External Fuel Filter</li> <li>- External Regulator</li> </ul> </li> </ul>	✓	✓	✓	✓
Scheduled service maintenance	✓	✓	✓	✓
Unscheduled service maintenance		✓		✓
Engine Overhaul at 40,000 trh			✓	✓
Access to priority support service from Capstone Business Partner	✓	✓	✓	✓
System software upgrades as released by Capstone	✓	✓	✓	✓

## Factory Protection Plan Customization

We are committed to your success. If there are special circumstances that you need met, please contact your local Capstone Business Partner to inquire about tailoring an FPP plan to suit your specific needs.





■ **Capstone Support -  
Parts & Service**  
21211 Nordhoff Street  
Chatsworth, CA 91311  
United States  
Headquarters

■ **NYC Service Center**  
495 Boulevard, Unit 3  
Elmwood Park, New Jersey  
United States  
Parts Inventory

■ **European Service Center**  
Unit D5 Segensworth  
Business Center  
Fareham, Hampshire PO15 5 RQ  
United Kingdom  
Remanufacturing, Parts Inventory

■ **Singapore Service Center**  
#07-15, 8 Admiralty Street  
Singapore 757438  
Parts Inventory

Capstone Turbine is based in Chatsworth, California with aftermarket customer service centers located worldwide. For more information please visit, [www.capstoneturbine.com](http://www.capstoneturbine.com) or contact **1-800-4-CAPSTONE**.

